

A stainless steel, pneumatically operated, single seated process valve.

Features

- Available in stop-, multi-way, change-over and tank bottom valves.
- One piece body design.
- In line cleaning.
- In line servicing and cleaning. The valve internals may be lifted from the body for inspection and maintenance.
- CE Machine Directive constructed.
- Suitable to build into manifolds.
- Optimal flow control, high Kv values.
- The actuator is a closed type and as single or double acting deliverable. The spring action of the single acting valves can be changed by reversing the actuator.
- Electronic control head available.
- Manufactured in accordance with EHEDG directives.
- Fieldbus compatibility available.

Integrated flow control manifolds

- Tailored around customer specifications.
- Compact design.
- Easy maintenance.
- 100% pressure and function tested.



General application

The well proven design has been used for isolation and control in a wide variety of hygienic applications over many years.

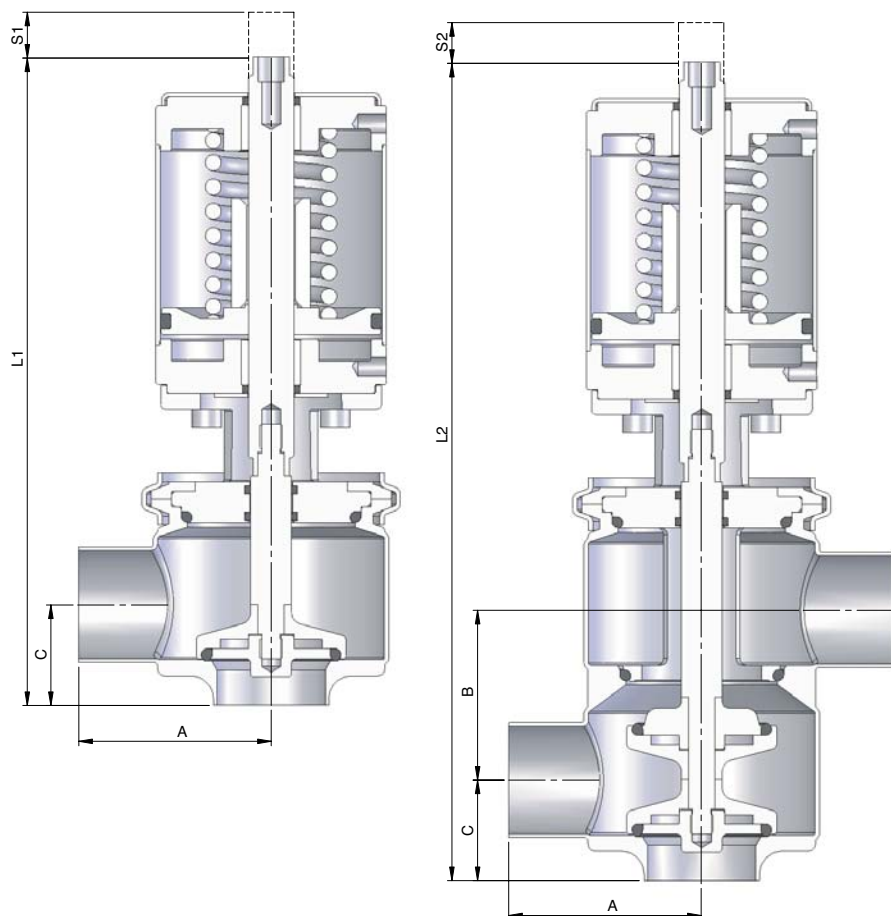
Materials

Wetted parts : 1.4404/316L
Other parts : 1.4301
Seals : EPDM, NBR, FPM, Silicon

Technical data

Pressure (bar) : 5 (liquid pressure above and below seat).
10 (available)
Temperature (°C) : 140
higher temperature seals on request
Sizes (mm) : 40-100
Air pressure (bar) : 6

Hygienic Basic Process Valves - Basicflow® series 9600



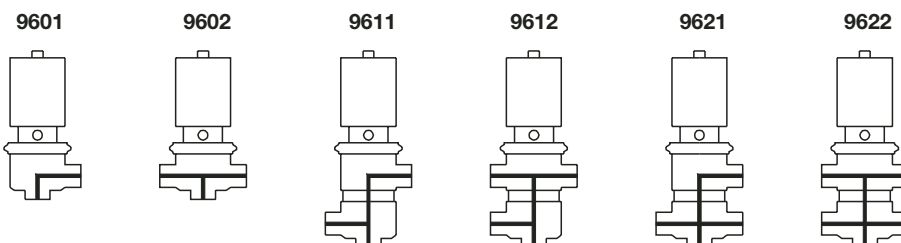
Overall dimensions

| DN | | A | B | C | L1 | L2 | S1 | S2 |
|-----------|----------|-----|-----|------|-------|-------|------|------|
| 1 1/2" | 38.1x1.5 | 65 | 65 | 38 | 276 | 341 | 20 | 17 |
| 2" | 50.8x1.5 | 85 | 75 | 44.5 | 286 | 361 | 21 | 18 |
| 2 1/2" | 63.5x1.5 | 87 | 90 | 50.5 | 350 | 440 | 23.5 | 20.5 |
| 3" | 76.1x1.5 | 105 | 110 | 57 | 386.5 | 496.5 | 28.5 | 25.5 |
| 4" | 101.6x2 | 120 | 130 | 69.5 | 466.5 | 596.5 | 33.5 | 30.5 |
| DIN 11850 | | A | B | C | L1 | L2 | S1 | S2 |
| 40 | 40x1.5 | 65 | 65 | 39 | 276 | 341 | 20 | 17 |
| 50 | 54x2 | 85 | 75 | 45.5 | 286 | 361 | 21 | 18 |
| 65 | 70x2 | 87 | 90 | 53.5 | 350 | 440 | 23.5 | 20.5 |
| 80 | 85x2 | 105 | 110 | 61 | 386.5 | 496.5 | 28.5 | 25.5 |
| 100 | 104x2 | 120 | 130 | 70.5 | 466.5 | 596.5 | 33.5 | 30.5 |
| ISO 1127 | | A | B | C | L1 | L2 | S1 | S2 |
| 25 | 33.7x1.6 | 65 | 65 | 35.5 | 276 | 341 | 20 | 17 |
| 32 | 42.4x1.6 | 65 | 65 | 39.5 | 276 | 341 | 20 | 17 |
| 40 | 48.3x2 | 85 | 75 | 42.5 | 286 | 361 | 21 | 18 |
| 50 | 60.3x2 | 87 | 90 | 48.5 | 350 | 440 | 23.5 | 20.5 |
| 65 | 76.1x2 | 105 | 110 | 56.5 | 386.5 | 496.5 | 28.5 | 25.5 |
| 80 | 88.9x2 | 120 | 130 | 63 | 466.5 | 596.5 | 33.5 | 30.5 |

Kv values

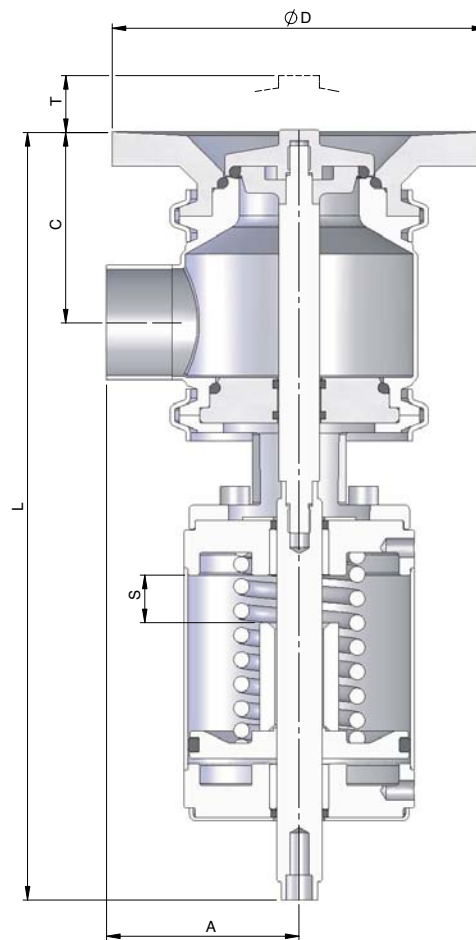
| Inch | Symbol 1 | Symbol 2 |
|-----------|----------|----------|
| 1 1/2" | 48 | 40 |
| 2" | 66 | 62 |
| 2 1/2" | 120 | 110 |
| 3" | 155 | 140 |
| 4" | 240 | 226 |
| DIN 11850 | Symbol 1 | Symbol 2 |
| 40 | 48 | 40 |
| 50 | 66 | 62 |
| 65 | 120 | 110 |
| 80 | 155 | 140 |
| 100 | 240 | 226 |
| ISO 1127 | Symbol 1 | Symbol 2 |
| 25 | 48 | 40 |
| 32 | 48 | 40 |
| 40 | 66 | 62 |
| 50 | 120 | 110 |
| 65 | 155 | 140 |
| 80 | 240 | 226 |

Valve configuration



Hygienic Basic Process Valves - Basicflow

tankbottom valve – series 9630



Kv values

| Inch | | |
|------|--|-----|
| 46 | | 82 |
| 65 | | 112 |
| 116 | | 256 |
| 150 | | 360 |
| 230 | | 530 |

| DIN 11850 | | |
|-----------|--|-----|
| 46 | | 82 |
| 65 | | 112 |
| 116 | | 256 |
| 150 | | 360 |
| 230 | | 530 |

| ISO 1127 | | |
|----------|--|-----|
| 46 | | 82 |
| 65 | | 112 |
| 116 | | 256 |
| 150 | | 360 |
| 230 | | 530 |

Overall dimensions

| DN | Pipe | A | C | D | L | S | T |
|--------|----------|-----|-------|-----|-----|------|------|
| 1 1/2" | 38.1x1.5 | 65 | 77.5 | 150 | 324 | 19 | 23 |
| 2" | 50.8x1.5 | 85 | 84 | 165 | 339 | 21 | 22 |
| 2 1/2" | 63.5x1.5 | 87 | 86 | 185 | 403 | 23.5 | 26 |
| 3" | 76.1x1.5 | 105 | 104 | 200 | 448 | 28.5 | 33.5 |
| 4" | 101.6x2 | 120 | 119.5 | 220 | 542 | 33.5 | 39 |

| DIN 11850 | Pipe | A | C | D | L | S | T |
|-----------|--------|-----|-------|-----|-----|------|------|
| 40 | 40x1.5 | 65 | 76.5 | 150 | 324 | 18.5 | 23 |
| 50 | 54x2 | 85 | 83 | 165 | 339 | 21 | 22 |
| 65 | 70x2 | 87 | 83 | 185 | 403 | 23.5 | 26 |
| 80 | 85x2 | 105 | 100 | 200 | 448 | 28.5 | 33.5 |
| 100 | 104x2 | 120 | 118.5 | 220 | 542 | 33.5 | 39 |

| ISO 1127 | Pipe | A | C | D | L | S | T |
|----------|----------|-----|-------|-----|-----|------|------|
| 25 | 33.7x1.6 | 65 | 80 | 150 | 324 | 19 | 23 |
| 32 | 42.4x1.6 | 65 | 75.5 | 150 | 324 | 19 | 23 |
| 40 | 48.3x2 | 85 | 3 | 165 | 339 | 21 | 22 |
| 50 | 60.3x2 | 87 | 88 | 185 | 403 | 23.5 | 26 |
| 65 | 76.1x2 | 105 | 104.5 | 200 | 448 | 28.5 | 33.5 |
| 80 | 88.9x2 | 120 | 126 | 220 | 542 | 33.5 | 39 |

Note

Size C is the minimal size needed, and can be increased by 25 mm up to C max = 225 mm.

Valve configuration

