



Model 6252 ASME Section I Steam and ASME Section VIII, Air, Steam and Gas 'UV' National Board Certified. Model 6254 ASME Section IV 'HV', National Board Certified.

Pressure and Temperature Limits

Model 6252:

10 to 250 psig [0.7 to 17.2 barg]
-20° to 406°F [-28° to 208°C]

Applications

- Steam Boilers and Generators.
- Pressure Reducing Stations.
- Air/Gas Compressors - reciprocating or rotary.
- Pressure Vessels - including tanks, receivers, intercoolers, oil/gas separators, lines.

Features and Benefits

- Heavy duty construction of high quality cast iron with SS semi-nozzle trim and disc.
- Bolted bonnet design for easy maintenance.
- Seats lapped to optical flatness.
- Dual control rings offer easy adjustability for precision opening with minimum preopen or simmer and exact blowdown control.
- Heavy duty lift lever assembly.
- Every valve tested/inspected for pressure setting, blowdown and leakage.
- All adjustments are factory sealed to prevent tampering or disassembly.



Model Descriptions

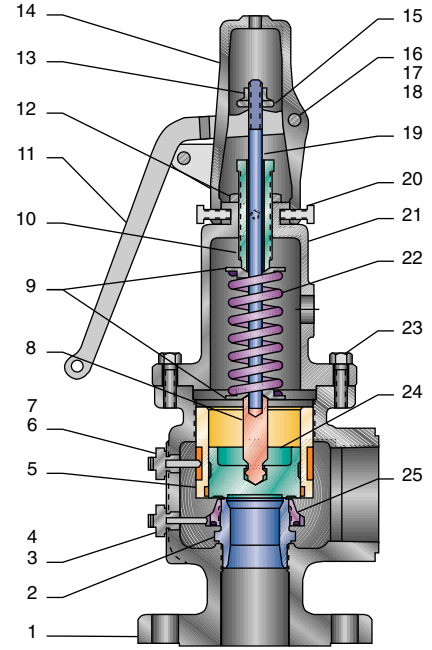
Model 6252: Cast iron, enclosed spring, SS trim.

Model 6254: Same as Model 6252 except certified for ASME Code Section IV - Low pressure steam heating boilers. Set 15 psig [1.0 barg] only. J through P orifice only.

Models 6252, 6254

Parts and Materials - Model 6252, 6254

| No. | Part Name | Material |
|-----|----------------------------|---|
| 1 | Body | Cast Iron, A126 CL A or B |
| 2 | Semi Nozzle | SS, SA351 CF8M |
| 3 | Warn Ring Locking Screw | Brass, B16 H02 |
| 4 | Warn Ring Locking Pin | SS, A582 TY 416 |
| 5 | Guide | Bronze, B584 C84400 |
| 6 | Guide Locking Screw | Brass, B16 H02 |
| 7 | Guide Locking Pin | SS, A582 TY 416 |
| 8 | Stem End | SS, A582 TY 416 |
| 9 | Spring Step | Brass, B16 H02 |
| 10 | Compression Screw | Brass, B16 H02 |
| 11 | Lever | Iron, A536 65 45 12 |
| 12 | Compression Screw Lock Nut | SS, SA479 316 SS |
| 13 | Lifting Disc Nut | Steel, A108 1018 |
| 14 | Cap | Iron, A536 65 45 12 |
| 15 | Lifting Disc | SS, SA479 316 SS |
| 16 | Lever Pin | Steel, A108 1018 |
| 17 | Lever Pin Washer | Steel, A108 1018 |
| 18 | Lever Cotter Pin | Steel, A108 1018 |
| 19 | Stem | SS, A582 TY 416 |
| 20 | Cap Set Screw | Steel, A108 1018 |
| 21 | Bonnet | Cast Iron, A126 CL A or B |
| 22 | Spring | Steel, A229, Aluminum Coated ² |
| 23 | Bonnet Bolt | Steel, A108 1018 |
| 24 | Disc | SS, SA479 316 SS |
| 25 | Warn Ring | Bronze, B584-C84400 ³ |
| 26 | Gag Screw | Steel, A108 1018 ¹ |
| 27 | Wire Seal | Lead Seal, Aluminum Wire ¹ |



Models 6252, 6254

Notes

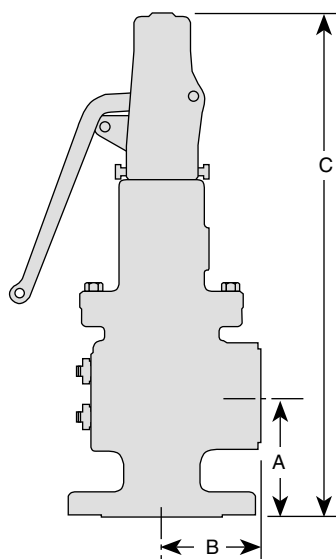
1. Not shown on assembly.
2. SS A313-631 for 'J' orifice.
3. Brass B16-H02 for 'J' orifice.

Models 6252, 6254

| Specifications | | | | | | | | | | | | | |
|--------------------|---------|------------------------|------------|------------------------|-------------|------------------|---------|---------------------------------|---------|----------------------------------|---------|--------------------|---------|
| Model ¹ | Orifice | Connections | | | | Valve Dimensions | | | | | | Approximate Weight | |
| | | ANSI Standard, in [mm] | | ANSI Standard, in [mm] | | A | | B | | C | | lb | [kg] |
| | | Inlet ² | | Outlet ³ | | | | | | | | | |
| 625*AJG | J | 1½ | [38.1] FPT | 2½ | [63.5] FPT | 4¼ | [108.0] | 3½ | [88.9] | 18 | [457.2] | 34 | [15.5] |
| 625*FJG | J | 1½ | [38.1] F | 2½ | [63.5] FPT | 4¼ | [108.0] | 3½ | [88.9] | 18 | [457.2] | 37 | [16.8] |
| 625*FJH | J | 2 | [50.8] F | 2½ | [63.5] FPT | 4¼ | [108.0] | 3½ | [88.9] | 18 | [457.2] | 39 | [17.7] |
| 625*FJJ | J | 2½ | [63.5] F | 2½ | [63.5] FPT | 4¼ | [108.0] | 3½ | [88.9] | 18 | [457.2] | 39 | [18.6] |
| 625*AKH | K | 2 | [50.8] FPT | 3 | [76.2] FPT | 4⅝ | [117.6] | 4 | [101.6] | 18¼ | [463.6] | 41 | [21.4] |
| 625*FKH | K | 2 | [50.8] F | 3 | [76.2] FPT | 4⅝ | [117.6] | 4 | [101.6] | 18¼ | [463.6] | 47 | [21.4] |
| 625*FKJ | K | 2½ | [63.5] F | 3 | [76.2] FPT | 4⅝ | [117.6] | 4 | [101.6] | 18¼ | [463.6] | 47 | [24.1] |
| 625*FKK | K | 3 | [76.2] F | 3 | [76.2] FPT | 4⅝ | [117.6] | 4 | [101.6] | 18¼ | [463.6] | 53 | [26.3] |
| 625*FKM | K | 3 | [76.2] F | 3 | [76.2] FPT | 4⅝ | [117.6] | 4 | [101.6] | 18¼ | [463.6] | 62 | [28.2] |
| 625*ALJ | L | 2½ | [63.5] FPT | 4 | [101.6] FPT | 5½ | [139.7] | 4 ¹³ / ₁₆ | [122.2] | 21½ | [546.1] | 70 | [31.8] |
| 625*FLJ | L | 2½ | [63.5] F | 4 | [101.6] FPT | 5½ | [139.7] | 4 ¹³ / ₁₆ | [122.2] | 21½ | [546.1] | 76 | [34.5] |
| 625*FLK | L | 3 | [76.2] F | 4 | [101.6] FPT | 5½ | [139.7] | 4 ¹³ / ₁₆ | [122.2] | 21½ | [546.1] | 84 | [38.2] |
| 625*FLM | L | 4 | [101.6] F | 4 | [101.6] FPT | 5½ | [139.7] | 4 ¹³ / ₁₆ | [122.2] | 21½ | [546.1] | 91 | [41.4] |
| 625*AMK | M | 3 | [76.2] FPT | 4 | [101.6] FPT | 5⅝ | [142.7] | 5⅛ | [130.0] | 21 ¹¹ / ₁₆ | [550.9] | 84 | [38.2] |
| 625*FMK | M | 3 | [76.2] F | 4 | [101.6] FPT | 5⅝ | [142.7] | 5⅛ | [130.0] | 21 ¹¹ / ₁₆ | [550.9] | 95 | [43.2] |
| 625*FMM | M | 4 | [101.6] F | 4 | [101.6] FPT | 5⅝ | [142.7] | 5⅛ | [130.0] | 21 ¹¹ / ₁₆ | [550.9] | 103 | [46.8] |
| 625*KNM | N | 4 | [101.6] F | 6 | [152.4] F | 6¾ | [171.5] | 7¼ | [184.2] | 22½ | [571.5] | 179 | [81.4] |
| 625*KPM | P | 4 | [101.6] F | 6 | [152.4] F | 6¾ | [171.5] | 7¼ | [184.2] | 25 ¹³ / ₁₆ | [655.6] | 188 | [85.4] |
| 625*KQP | Q | 6 | [152.4] F | 8 | [203.2] F | 9¼ | [234.9] | 10 | [254.0] | 39⅞ | [993.8] | 484 | [220.0] |
| 625*KRP | R | 6 | [152.4] F | 8 | [203.2] F | 9¼ | [234.9] | 10 | [254.0] | 39⅞ | [993.8] | 498 | [226.3] |

Notes

1. Replace asterisk with desired model number.
2. Inlet Flanges are ANSI B16. 1-250#.
3. Outlet Flanges are ANSI B16. 1-125#.



Models 6252, 6253, 6254

Model 6252

Non-code¹ and ASME Section VIII Air, (English, SCFM)

| Set Pressure (psig) | Orifice, Area in ² | | | | | | | |
|------------------------|-------------------------------|--------------|--------------|--------------|--------------|--------------|---------------|---------------|
| | J (1.414) | K (2.022) | L (3.138) | M (3.960) | N (4.774) | P (7.018) | Q (12.155) | R (17.600) |
| 10 | 582 | 833 | 1292 | 1631 | 1966 | 3129 | 5005 | 7247 |
| 15 | 744 | 1064 | 1652 | 2084 | 2513 | 3694 | 6397 | 9263 |
| 20 | 858 | 1227 | 1904 | 2403 | 2897 | 4258 | 7375 | 10679 |
| 25 | 972 | 1390 | 2157 | 2722 | 3281 | 4823 | 8354 | 12096 |
| 30 | 1086 | 1552 | 2409 | 3040 | 3665 | 5388 | 9332 | 13512 |
| 35 | 1211 | 1731 | 2687 | 3391 | 4088 | 6009 | 10408 | 15070 |
| 40 | 1336 | 1910 | 2965 | 3741 | 4510 | 6630 | 11484 | 16628 |
| 45 | 1461 | 2089 | 3242 | 4092 | 4933 | 7252 | 12560 | 18186 |
| 50 | 1586 | 2268 | 3520 | 4442 | 5356 | 7873 | 13636 | 19744 |
| 55 | 1711 | 2447 | 3798 | 4793 | 5778 | 8494 | 14712 | 21302 |
| 60 | 1837 | 2626 | 4076 | 5143 | 6201 | 9115 | 15788 | 22860 |
| 65 | 1962 | 2805 | 4354 | 5494 | 6623 | 9737 | 16864 | 24418 |
| 70 | 2087 | 2984 | 4631 | 5845 | 7046 | 10358 | 17939 | 25976 |
| 75 | 2212 | 3163 | 4909 | 6195 | 7469 | 10979 | 19015 | 27534 |
| 80 | 2337 | 3342 | 5187 | 6546 | 7891 | 11600 | 20091 | 29092 |
| 90 | 2588 | 3700 | 5742 | 7247 | 8736 | 12843 | 22243 | 32208 |
| 100 | 2838 | 4058 | 6298 | 7948 | 9582 | 14085 | 24395 | 35324 |
| 110 | 3088 | 4416 | 6854 | 8649 | 10427 | 15328 | 26547 | 38440 |
| 120 | 3339 | 4774 | 7409 | 9350 | 11272 | 16570 | 28699 | 41555 |
| 130 | 3589 | 5132 | 7965 | 10051 | 12117 | 17813 | 30851 | 44671 |
| 140 | 3839 | 5490 | 8520 | 10752 | 12962 | 19055 | 33003 | 47787 |
| 150 | 4090 | 5848 | 9076 | 11453 | 13808 | 20298 | 35155 | 50903 |
| 160 | 4340 | 6206 | 9631 | 12154 | 14653 | 21540 | 37307 | 54019 |
| 170 | 4590 | 6564 | 10187 | 12855 | 15498 | 22783 | 39459 | 57135 |
| 180 | 4841 | 6922 | 10743 | 13557 | 16343 | 24025 | 41611 | 60251 |
| 190 | 5091 | 7280 | 11298 | 14258 | 17188 | 25268 | 43763 | 63367 |
| 200 | 5341 | 7638 | 11854 | 14959 | 18034 | 26510 | 45915 | 66483 |
| 210 | 5592 | 7996 | 12409 | 15660 | 18879 | 27753 | 48067 | 69599 |
| 220 | 5842 | 8354 | 12965 | 16361 | 19724 | 28995 | 50219 | 72715 |
| 230 | 6092 | 8712 | 13520 | 17062 | 20569 | 30238 | 52371 | 75831 |
| 240 | 6343 | 9070 | 14076 | 17763 | 21414 | 31480 | 54523 | 78947 |
| 250 | 6593 | 9428 | 14631 | 18464 | 22260 | 32723 | 56675 | 82063 |

Note

1. No code stamp or 'NB' on nameplate below 15 psig set.

Model 6252

| Non-code ¹ and ASME Section VIII Air, [Metric, Nm ³ /h] | | | | | | | | |
|---|-------------------------------|---------------|---------------|---------------|---------------|---------------|---------------|----------------|
| Set Pressure [barg] | Orifice, Area cm ² | | | | | | | |
| | J [9.135] | K [13.045] | L [20.245] | M [25.548] | N [30.581] | P [45.277] | Q [78.419] | R [113.548] |
| 1.0 | 1148 | 1639 | 2543 | 3210 | 3842 | 5688 | 9852 | 14265 |
| 1.5 | 1445 | 2063 | 3201 | 4040 | 4836 | 7160 | 12400 | 17955 |
| 2.0 | 1710 | 2442 | 3790 | 4783 | 5725 | 8476 | 14680 | 21256 |
| 2.5 | 1999 | 2854 | 4429 | 5590 | 6691 | 9906 | 17157 | 24842 |
| 3.0 | 2291 | 3271 | 5077 | 6407 | 7668 | 11354 | 19664 | 28473 |
| 3.5 | 2583 | 3688 | 5724 | 7224 | 8646 | 12802 | 22172 | 32104 |
| 4.0 | 2875 | 4106 | 6371 | 8040 | 9624 | 14250 | 24680 | 35735 |
| 4.5 | 3167 | 4523 | 7019 | 8857 | 10602 | 15697 | 27187 | 39366 |
| 5.0 | 3459 | 4940 | 7666 | 9674 | 11580 | 17145 | 29695 | 42997 |
| 5.5 | 3751 | 5357 | 8314 | 10491 | 12558 | 18593 | 32203 | 46628 |
| 6.0 | 4044 | 5774 | 8961 | 11308 | 13536 | 20041 | 34710 | 50259 |
| 6.5 | 4336 | 6191 | 9608 | 12125 | 14514 | 21489 | 37218 | 53890 |
| 7.0 | 4628 | 6608 | 10256 | 12942 | 15492 | 22937 | 39726 | 57521 |
| 7.5 | 4920 | 7026 | 10903 | 13759 | 16469 | 24384 | 42233 | 61152 |
| 8.0 | 5212 | 7443 | 11551 | 14576 | 17447 | 25832 | 44741 | 64783 |
| 8.5 | 5504 | 7860 | 12198 | 15393 | 18425 | 27280 | 47249 | 68414 |
| 9.0 | 5796 | 8277 | 12845 | 16210 | 19403 | 28728 | 49756 | 72045 |
| 9.5 | 6088 | 8694 | 13493 | 17027 | 20381 | 30176 | 52264 | 75676 |
| 10.0 | 6381 | 9111 | 14140 | 17844 | 21359 | 31624 | 54772 | 79307 |
| 10.5 | 6673 | 9528 | 14787 | 18661 | 22337 | 33072 | 57279 | 82938 |
| 11.0 | 6965 | 9946 | 15435 | 19478 | 23315 | 34519 | 59787 | 86569 |
| 11.5 | 7257 | 10363 | 16082 | 20295 | 24293 | 35967 | 62294 | 90200 |
| 12.0 | 7549 | 10780 | 16730 | 21112 | 25270 | 37415 | 64802 | 93831 |
| 12.5 | 7841 | 11197 | 17377 | 21929 | 26248 | 38863 | 67310 | 97462 |
| 13.0 | 8133 | 11614 | 18024 | 22746 | 27226 | 40311 | 69817 | 101093 |
| 13.5 | 8426 | 12031 | 18672 | 23563 | 28204 | 41759 | 72325 | 104724 |
| 14.0 | 8718 | 12449 | 19319 | 24380 | 29182 | 43207 | 74833 | 108355 |
| 14.5 | 9010 | 12866 | 19967 | 25197 | 30160 | 44654 | 77340 | 111986 |
| 15.0 | 9302 | 13283 | 20614 | 26014 | 31138 | 46102 | 79848 | 115617 |
| 15.5 | 9594 | 13700 | 21261 | 26831 | 32116 | 47550 | 82356 | 119248 |
| 16.0 | 9886 | 14117 | 21909 | 27648 | 33094 | 48998 | 84863 | 122879 |
| 17.2 | 10587 | 15118 | 23462 | 29608 | 35440 | 52473 | 90882 | 131593 |

Note

1. No code stamp or 'NB' on nameplate below 1.1 barg set.

Model 6252

Non-code¹ and ASME Section VIII Steam, (English, lb/h)

| Set Pressure (psig) | Orifice, Area in ² | | | | | | | |
|------------------------|-------------------------------|--------------|--------------|--------------|--------------|--------------|---------------|---------------|
| | J (1.414) | K (2.022) | L (3.138) | M (3.960) | N (4.774) | P (7.018) | Q (12.155) | R (17.600) |
| 10 | 1775 | 2538 | 3938 | 4970 | 5991 | 8807 | 15254 | 22087 |
| 15 | 2091 | 2990 | 4640 | 5855 | 7059 | 10377 | 17972 | 26023 |
| 20 | 2410 | 3447 | 5349 | 6751 | 8138 | 11963 | 20720 | 30002 |
| 25 | 2730 | 3904 | 6059 | 7646 | 9217 | 13550 | 23468 | 33981 |
| 30 | 3050 | 4361 | 6768 | 8541 | 10297 | 15137 | 26217 | 37961 |
| 35 | 3401 | 4864 | 7549 | 9526 | 11484 | 16882 | 29239 | 42338 |
| 40 | 3753 | 5367 | 8329 | 10511 | 12671 | 18627 | 32262 | 46715 |
| 45 | 4105 | 5870 | 9109 | 11496 | 13859 | 20373 | 35285 | 51092 |
| 50 | 4456 | 6373 | 9890 | 12480 | 15046 | 22118 | 38308 | 55469 |
| 55 | 4808 | 6875 | 10670 | 13465 | 16233 | 23863 | 41331 | 59846 |
| 60 | 5160 | 7378 | 11451 | 14450 | 17420 | 25609 | 44354 | 64223 |
| 65 | 5511 | 7881 | 12231 | 15435 | 18608 | 27354 | 47377 | 68600 |
| 70 | 5863 | 8384 | 13011 | 16420 | 19795 | 29099 | 50399 | 72977 |
| 75 | 6215 | 8887 | 13792 | 17405 | 20982 | 30845 | 53422 | 77354 |
| 80 | 6566 | 9390 | 14572 | 18389 | 22169 | 32590 | 56445 | 81731 |
| 90 | 7270 | 10395 | 16133 | 20359 | 24544 | 36081 | 62491 | 90485 |
| 100 | 7973 | 11401 | 17694 | 22329 | 26918 | 39571 | 68537 | 99239 |
| 110 | 8676 | 12407 | 19255 | 24298 | 29293 | 43062 | 74582 | 107993 |
| 120 | 9380 | 13413 | 20815 | 26268 | 31668 | 46553 | 80628 | 116747 |
| 130 | 10083 | 14418 | 22376 | 28238 | 34042 | 50043 | 86674 | 125501 |
| 140 | 10786 | 15424 | 23937 | 30207 | 36417 | 53534 | 92720 | 134255 |
| 150 | 11489 | 16430 | 25498 | 32177 | 38791 | 57025 | 98765 | 143009 |
| 160 | 12193 | 17435 | 27059 | 34147 | 41166 | 60515 | 104811 | 151763 |
| 170 | 12896 | 18441 | 28619 | 36116 | 43540 | 64006 | 110857 | 160517 |
| 180 | 13599 | 19447 | 30180 | 38086 | 45915 | 67497 | 116903 | 169271 |
| 190 | 14303 | 20453 | 31741 | 40056 | 48289 | 70987 | 122948 | 178025 |
| 200 | 15006 | 21458 | 33302 | 42025 | 50664 | 74478 | 128994 | 186779 |
| 210 | 15709 | 22464 | 34863 | 43995 | 53038 | 77969 | 135040 | 195533 |
| 220 | 16413 | 23470 | 36423 | 45965 | 55413 | 81459 | 141086 | 204287 |
| 230 | 17116 | 24475 | 37984 | 47934 | 57787 | 84950 | 147131 | 213041 |
| 240 | 17819 | 25481 | 39545 | 49904 | 60162 | 88441 | 153177 | 221795 |
| 250 | 18523 | 26487 | 41106 | 51873 | 62536 | 91931 | 159223 | 230549 |

Note

1. No code stamp or 'NB' on nameplate below 15 psig set.

Model 6252

| Non-code ¹ and ASME Section VIII Steam, [Metric, kg/h] | | | | | | | | |
|---|-------------------------------|---------------|---------------|---------------|---------------|---------------|---------------|----------------|
| Set Pressure [barg] | Orifice, Area cm ² | | | | | | | |
| | J [9.135] | K [13.045] | L [20.245] | M [25.548] | N [30.581] | P [45.277] | Q [78.419] | R [113.548] |
| 1.0 | 945 | 1350 | 2095 | 2644 | 3164 | 4685 | 8115 | 11750 |
| 1.5 | 1145 | 1635 | 2538 | 3203 | 3834 | 5676 | 9831 | 14235 |
| 2.0 | 1356 | 1936 | 3005 | 3792 | 4539 | 6720 | 11638 | 16852 |
| 2.5 | 1585 | 2263 | 3512 | 4431 | 5304 | 7854 | 13602 | 19696 |
| 3.0 | 1816 | 2593 | 4025 | 5079 | 6080 | 9001 | 15590 | 22574 |
| 3.5 | 2048 | 2924 | 4538 | 5727 | 6855 | 10149 | 17578 | 25453 |
| 4.0 | 2279 | 3255 | 5051 | 6375 | 7630 | 11297 | 19567 | 28332 |
| 4.5 | 2511 | 3586 | 5565 | 7022 | 8406 | 12445 | 21555 | 31210 |
| 5.0 | 2743 | 3916 | 6078 | 7670 | 9181 | 13593 | 23543 | 34089 |
| 5.5 | 2974 | 4247 | 6591 | 8318 | 9956 | 14741 | 25531 | 36968 |
| 6.0 | 3206 | 4578 | 7104 | 8965 | 10731 | 15889 | 27519 | 39846 |
| 6.5 | 3437 | 4909 | 7618 | 9613 | 11507 | 17037 | 29507 | 42725 |
| 7.0 | 3669 | 5239 | 8131 | 10261 | 12282 | 18185 | 31495 | 45604 |
| 7.5 | 3901 | 5570 | 8644 | 10909 | 13057 | 19332 | 33483 | 48483 |
| 8.0 | 4132 | 5901 | 9157 | 11556 | 13833 | 20480 | 35471 | 51361 |
| 8.5 | 4364 | 6231 | 9671 | 12204 | 14608 | 21628 | 37459 | 54240 |
| 9.0 | 4595 | 6562 | 10184 | 12852 | 15383 | 22776 | 39448 | 57119 |
| 9.5 | 4827 | 6893 | 10697 | 13499 | 16158 | 23924 | 41436 | 59997 |
| 10.0 | 5059 | 7224 | 11211 | 14147 | 16934 | 25072 | 43424 | 62876 |
| 10.5 | 5290 | 7554 | 11724 | 14795 | 17709 | 26220 | 45412 | 65755 |
| 11.0 | 5522 | 7885 | 12237 | 15443 | 18484 | 27368 | 47400 | 68633 |
| 11.5 | 5753 | 8216 | 12750 | 16090 | 19260 | 28515 | 49388 | 71512 |
| 12.0 | 5985 | 8546 | 13264 | 16738 | 20035 | 29663 | 51376 | 74391 |
| 12.5 | 6217 | 8877 | 13777 | 17386 | 20810 | 30811 | 53364 | 77270 |
| 13.0 | 6448 | 9208 | 14290 | 18033 | 21585 | 31959 | 55352 | 80148 |
| 13.5 | 6680 | 9539 | 14803 | 18681 | 22361 | 33107 | 57341 | 83027 |
| 14.0 | 6912 | 9869 | 15317 | 19329 | 23136 | 34255 | 59329 | 85906 |
| 14.5 | 7143 | 10200 | 15830 | 19976 | 23911 | 35403 | 61317 | 88784 |
| 15.0 | 7375 | 10531 | 16343 | 20624 | 24687 | 36551 | 63305 | 91663 |
| 15.5 | 7606 | 10862 | 16856 | 21272 | 25462 | 37699 | 65293 | 94542 |
| 16.0 | 7838 | 11192 | 17370 | 21920 | 26237 | 38846 | 67281 | 97420 |
| 17.2 | 8394 | 11986 | 18601 | 23474 | 28098 | 41601 | 72052 | 104329 |

Note

1. No code stamp or 'NB' on nameplate below 1.1 barg set.

Model 6252

Non-code and ASME Section I Steam, (English, lb/h)

| Set Pressure (psig) | Orifice, Area in ² | | | | | | | |
|------------------------|-------------------------------|--------------|--------------|--------------|--------------|--------------|---------------|---------------|
| | J (1.414) | K (2.022) | L (3.138) | M (3.960) | N (4.774) | P (7.018) | Q (12.155) | R (17.600) |
| 15 | 2025 | 2895 | 4494 | 5671 | 6836 | 10050 | 17406 | 25203 |
| 20 | 2344 | 3352 | 5202 | 6565 | 7915 | 11635 | 20151 | 29178 |
| 25 | 2664 | 3809 | 5911 | 7460 | 8993 | 13220 | 22897 | 33153 |
| 30 | 2983 | 4266 | 6620 | 8354 | 10071 | 14805 | 25642 | 37129 |
| 35 | 3302 | 4722 | 7329 | 9248 | 11149 | 16390 | 28387 | 41104 |
| 40 | 3622 | 5179 | 8037 | 10143 | 12228 | 17975 | 31133 | 45079 |
| 45 | 3941 | 5636 | 8746 | 11037 | 13306 | 19560 | 33878 | 49054 |
| 50 | 4260 | 6092 | 9455 | 11932 | 14384 | 21146 | 36624 | 53030 |
| 55 | 4580 | 6549 | 10164 | 12826 | 15463 | 22731 | 39369 | 57005 |
| 60 | 4899 | 7006 | 10872 | 13721 | 16541 | 24316 | 42114 | 60980 |
| 65 | 5219 | 7462 | 11581 | 14615 | 17619 | 25901 | 44860 | 64955 |
| 70 | 5544 | 7928 | 12304 | 15527 | 18719 | 27518 | 47660 | 69010 |
| 75 | 5873 | 8399 | 13034 | 16449 | 19830 | 29150 | 50488 | 73150 |
| 80 | 6202 | 8869 | 13764 | 17370 | 20940 | 30783 | 53316 | 77199 |
| 90 | 6860 | 9810 | 15224 | 19212 | 23161 | 34048 | 58971 | 85388 |
| 100 | 7518 | 10751 | 16684 | 21055 | 25383 | 37314 | 64627 | 93577 |
| 110 | 8176 | 11692 | 18144 | 22897 | 27604 | 40579 | 70282 | 101766 |
| 120 | 8834 | 12632 | 19604 | 24740 | 29825 | 43845 | 75938 | 109955 |
| 130 | 9492 | 13573 | 21065 | 26582 | 32047 | 47110 | 81593 | 118144 |
| 140 | 10150 | 14514 | 22525 | 28425 | 34268 | 50375 | 87249 | 126333 |
| 150 | 10808 | 15455 | 23985 | 30267 | 36489 | 53641 | 92904 | 134522 |
| 160 | 11466 | 16396 | 25445 | 32110 | 38710 | 56906 | 98560 | 142711 |
| 170 | 12123 | 17336 | 26905 | 33952 | 40932 | 60171 | 104215 | 150900 |
| 180 | 12781 | 18277 | 28365 | 35795 | 43153 | 63437 | 109871 | 159089 |
| 190 | 13439 | 19218 | 29825 | 37638 | 45374 | 66702 | 115526 | 167278 |
| 200 | 14097 | 20159 | 31285 | 39480 | 47595 | 69967 | 121182 | 175467 |
| 210 | 14755 | 21100 | 32745 | 41323 | 49817 | 73233 | 126837 | 183656 |
| 220 | 15413 | 22040 | 34205 | 43165 | 52038 | 76498 | 132493 | 191845 |
| 230 | 16071 | 22981 | 35665 | 45008 | 54259 | 79763 | 138148 | 200034 |
| 240 | 16729 | 23922 | 37125 | 46850 | 56480 | 83029 | 143804 | 208223 |
| 250 | 17387 | 24863 | 38585 | 48693 | 58702 | 86294 | 149459 | 216412 |

Model 6252

| Non-code and ASME Section I Steam, [Metric, kg/h] | | | | | | | | |
|---|-------------------------------|---------------|---------------|---------------|---------------|---------------|---------------|----------------|
| Set Pressure [barg] | Orifice, Area cm ² | | | | | | | |
| | J [9.135] | K [13.045] | L [20.245] | M [25.548] | N [30.581] | P [45.277] | Q [78.419] | R [113.548] |
| 1.0 | 905 | 1292 | 2005 | 2530 | 3029 | 4485 | 7767 | 11247 |
| 1.5 | 1115 | 1592 | 2471 | 3119 | 3733 | 5527 | 9573 | 13861 |
| 2.0 | 1326 | 1893 | 2938 | 3707 | 4437 | 6570 | 11378 | 16476 |
| 2.5 | 1536 | 2193 | 3404 | 4295 | 5141 | 7612 | 13184 | 19090 |
| 3.0 | 1746 | 2494 | 3870 | 4884 | 5845 | 8655 | 14990 | 21705 |
| 3.5 | 1957 | 2794 | 4336 | 5472 | 6550 | 9697 | 16795 | 24319 |
| 4.0 | 2167 | 3094 | 4802 | 6060 | 7254 | 10740 | 18601 | 26934 |
| 4.5 | 2377 | 3395 | 5268 | 6648 | 7958 | 11782 | 20407 | 29548 |
| 5.0 | 2593 | 3702 | 5746 | 7251 | 8679 | 12850 | 22256 | 32226 |
| 5.5 | 2809 | 4012 | 6226 | 7857 | 9404 | 13924 | 24116 | 34919 |
| 6.0 | 3026 | 4321 | 6706 | 8463 | 10130 | 14998 | 25976 | 37612 |
| 6.5 | 3243 | 4631 | 7186 | 9069 | 10855 | 16072 | 27836 | 40305 |
| 7.0 | 3459 | 4940 | 7666 | 9675 | 11580 | 17146 | 29696 | 42998 |
| 7.5 | 3676 | 5249 | 8147 | 10281 | 12305 | 18219 | 31555 | 45691 |
| 8.0 | 3893 | 5559 | 8627 | 10886 | 13031 | 19293 | 33415 | 48384 |
| 8.5 | 4109 | 5868 | 9107 | 11492 | 13756 | 20367 | 35275 | 51077 |
| 9.0 | 4326 | 6177 | 9587 | 12098 | 14481 | 21441 | 37135 | 53770 |
| 9.5 | 4543 | 6487 | 10067 | 12704 | 15206 | 22515 | 38995 | 56463 |
| 10.0 | 4759 | 6796 | 10547 | 13310 | 15932 | 23588 | 40855 | 59156 |
| 10.5 | 4976 | 7106 | 11027 | 13916 | 16657 | 24662 | 42714 | 61849 |
| 11.0 | 5193 | 7415 | 11508 | 14522 | 17382 | 25736 | 44574 | 64542 |
| 11.5 | 5409 | 7724 | 11988 | 15128 | 18108 | 26810 | 46434 | 67235 |
| 12.0 | 5626 | 8034 | 12468 | 15734 | 18833 | 27884 | 48294 | 69928 |
| 12.5 | 5843 | 8343 | 12948 | 16340 | 19558 | 28957 | 50154 | 72621 |
| 13.0 | 6059 | 8652 | 13428 | 16946 | 20283 | 30031 | 52013 | 75314 |
| 13.5 | 6276 | 8962 | 13908 | 17551 | 21009 | 31105 | 53873 | 78006 |
| 14.0 | 6493 | 9271 | 14388 | 18157 | 21734 | 32179 | 55733 | 80699 |
| 14.5 | 6709 | 9581 | 14868 | 18763 | 22459 | 33253 | 57593 | 83392 |
| 15.0 | 6926 | 9890 | 15349 | 19369 | 23184 | 34327 | 59453 | 86085 |
| 15.5 | 7143 | 10199 | 15829 | 19975 | 23910 | 35400 | 61312 | 88778 |
| 16.0 | 7359 | 10509 | 16309 | 20581 | 24635 | 36474 | 63172 | 91471 |
| 17.2 | 7879 | 11251 | 17461 | 22035 | 26375 | 39051 | 67636 | 97934 |

Model 6254

ASME Section IV Steam, (lb/h) [kg/h]

| Set Pressure (psig) [barg] | Orifice, Area in ² [cm ²] | | | | | |
|----------------------------------|--|----------------|----------------|----------------|----------------|-----------------|
| | J | K | L | M | N | P |
| 15 [1.0] | 2215 [1003] | 3168 [1435] | 4916 [2227] | 6204 [2810] | 7479 [3388] | 10994 [4980] |

Models 6252, 6254

Model Number/Order Guide

Model Number Position

| | | | | | | | | | | | | | | |
|---|---|---|---|---|---|---|---|---|----|----|----|----|----|----|
| 1 | 2 | 3 | 4 | 5 | 6 | 7 | 8 | 9 | 10 | 11 | 12 | 13 | 14 | 15 |
|---|---|---|---|---|---|---|---|---|----|----|----|----|----|----|

Example

| | | | | | | | | | | | | | | | |
|---|---|---|---|---|---|---|---|---|---|---|---|---|---|---|---|
| 6 | 2 | 5 | 2 | F | L | K | 0 | 1 | - | A | S | 0 | 0 | 2 | 0 |
|---|---|---|---|---|---|---|---|---|---|---|---|---|---|---|---|

Model
6252
6254

Connection Model

- A - Female x Female
- F - 250# Flange x Female
- K - 250# Flange x 125# Flange

Orifice

- | | |
|---|---|
| J | N |
| K | P |
| L | Q |
| M | R |

Inlet Size

- | | |
|--------------------|--------------------|
| G - 1½-inch [38.1] | K - 3-inch [76.2] |
| H - 2-inch [50.8] | M - 4-inch [101.6] |
| J - 2½-inch [63.5] | P - 6-inch [152.4] |

Variation (01 through 99)

- 01 - Plain lever
- 02 - Plain lever with gag

Design Revision

- Indicates non-interchangeable revision.
- Dash (-) if original design.

Valve Service

- A - Steam ASME Section I (Model 6252 only)
- G - Steam ASME Section IV (Model 6254 (15 psig) [1.0 barg] only)
- K - Air ASME Section VIII (Model 6252 only)
- L - Steam ASME Section VIII (Model 6252 only)
- N - Non-code Air/Gas
- P - Non-code Steam

Spring Material

- S - Steel (plated)

Set Pressure

- Model 6252 - 5 psig [0.34 barg] (0005) through 250 psig [17.2 barg] (0250)
- Model 6254 - 15 psig [1.0 barg] (0015)